



**GWL
POWER**

www.ev-power.eu
Your complete power solutions.

Technical specification

LFP26650 Rechargeable cell: 3.2V 3Ah (LiFePO4)

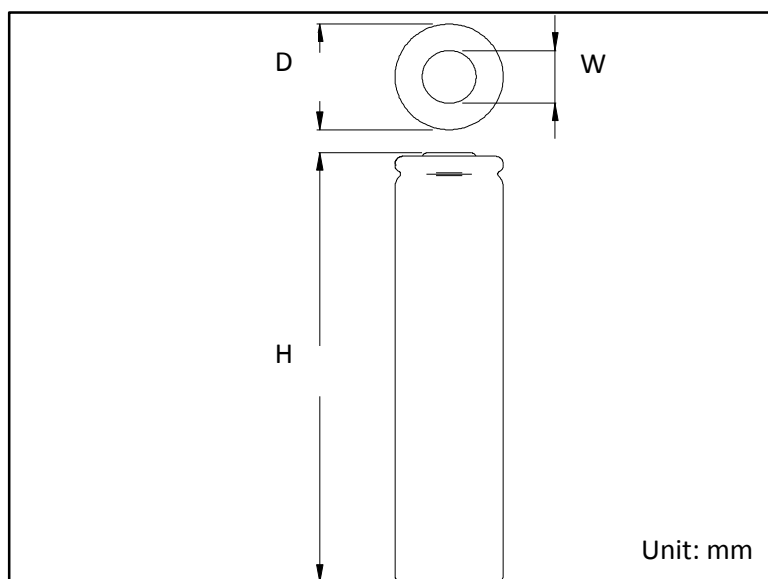


Basic Specification

✓ This specification is based on and meets the requirement of GB/T18287-2013, UL1642 and CE61960.

Parameters	Values	Conditions
Nominal Capacity	3000mAh	Standard Discharging, 0.2C
Nominal Voltage	3.2V	
Discharge Cut-off Voltage	2.0V (2.5V recommended)	Standard Discharging, 0.2C
Charging Voltage	3.65±0.03V	0°C ~ 45°C
Standard Charging Current	0.2C	0°C ~ 45°C
Standard Discharging Current	0.2C	-10°C ~ +60°C
Fast Charging Current	0.5C	0°C ~ 45°C
Fast Discharging Current	0.5C	-10°C ~ +60°C
Max Discharging Current	3C	Cut-off Voltage @2.0V
Internal Impedance	≤ 30mΩ	@AC 1 KHz
Weight	83.0g	±1g
Threshold Storage Temperature	-20 ~ 25°C	Ex-factory Voltage @3.3 ~ 3.45V

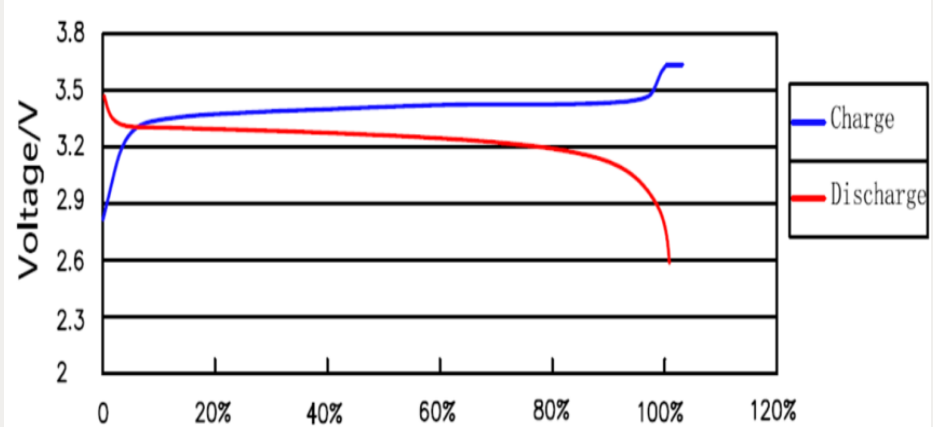
Dimensions:



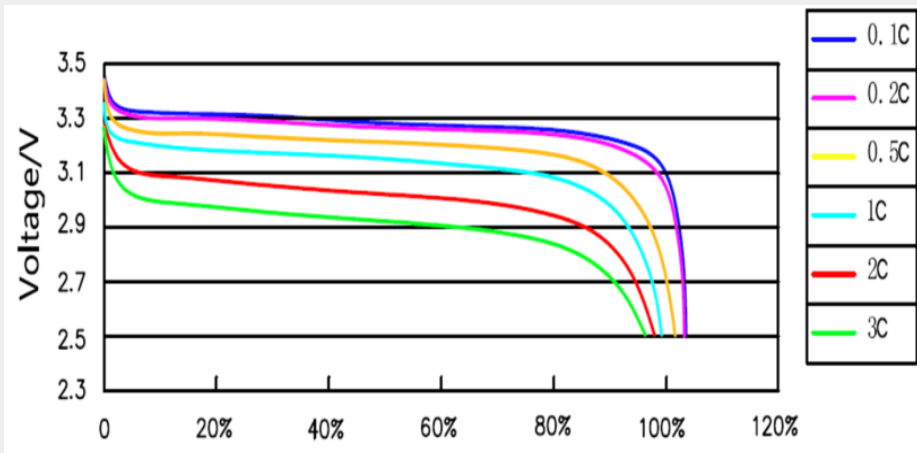
Diameter, D	26.0 mm	+0.25
		-0.15
Height, H	66.2 mm	+0.3
		-0.3
Cap Diameter, W	12.3 mm	+0.1
		-0.1

Charging & Discharging Curves

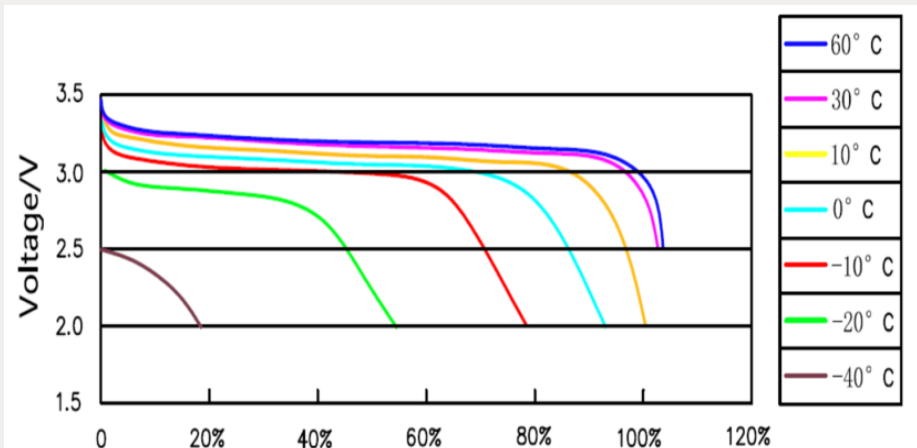
Standard Charging /
Discharging @0.5C



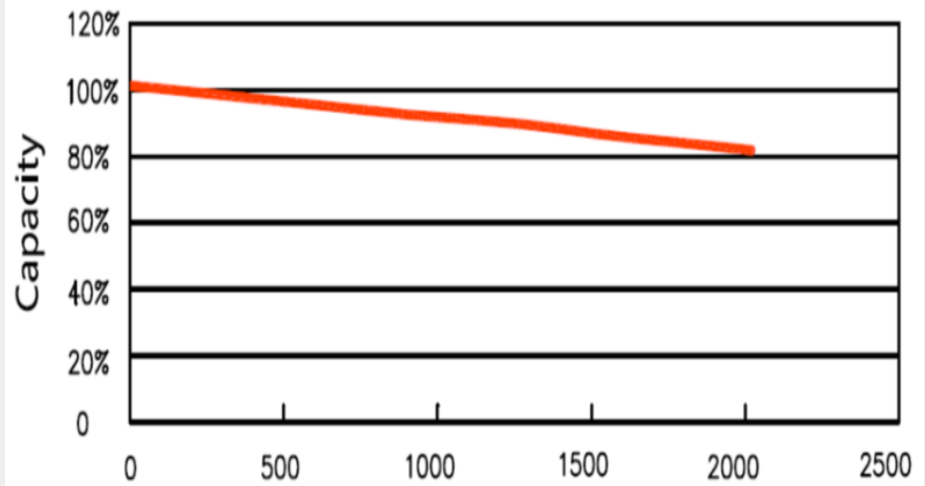
High Rate Discharging



Various Temperature
Discharging @0.5C



Cycle life Charging /
Discharging @0.5C



GWL Power Ltd.
Prumyslova 11, 102 19 Prague 10
Czech Republic, European Union